

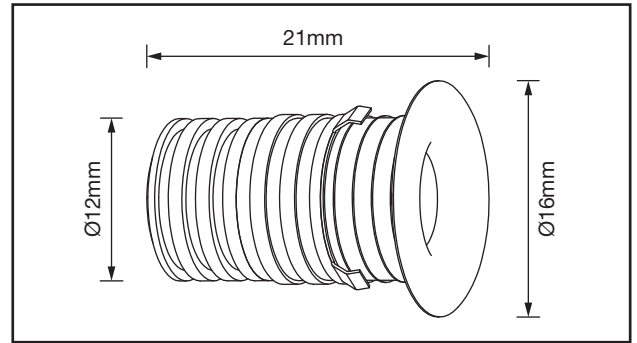
AMKR012

1W LED 350mA IP44 Marker Light

micro™

PRODUCT FEATURES

- IP44 Rated
- 1W LED
- Anti-Glare Trimless Look
- Frosted Glass For A Soft Edge Beam
- Matte White Paintable Finish*
- Ultra Slim Profile
- Dimmable With A Dimmable LED Driver†
- 350mA Constant Current (Series Wiring)
- 2m Pre-Wired Cable



TECHNICAL SPECIFICATIONS

PRODUCT CODE	AMKR012**/30	AMKR012**/40
Max Power Output	1W	1W
Lumens	<60lm	<70lm
CCT	3000K	4000K
Beam Angle	50°	50°
CRI	>80	>80
Ingress Protection	IP44	IP44
Lifetime (Hours to Im70)	50,000 Hrs	50,000 Hrs
Operating Temperature	-20°C~+50°C	-20°C~+50°C
Operating Current	350mA	350mA



Matte Brushed Aluminium
AMKR012AL



Polar White
AMKR012WH

SERIES WIRING 350mA	WARM WHITE 3000K	COOL WHITE 4000K	DESIGNED IN BRITAIN	IP44	50,000H	SMD LED	CLASS 3	2M PREWIRED CABLE	≤70lm	50°	1W	DIMMABLE WITH DRIVER	5 YEAR GUARANTEE
-------------------------------	----------------------------	----------------------------	----------------------------	-------------	----------------	----------------	----------------	--------------------------	--------------	------------	-----------	-----------------------------	-------------------------

* When Used With a Suitable ALL LED Dimmable Driver
† Applies to White Finish Models Only
‡ Item(s) Sold Separately*